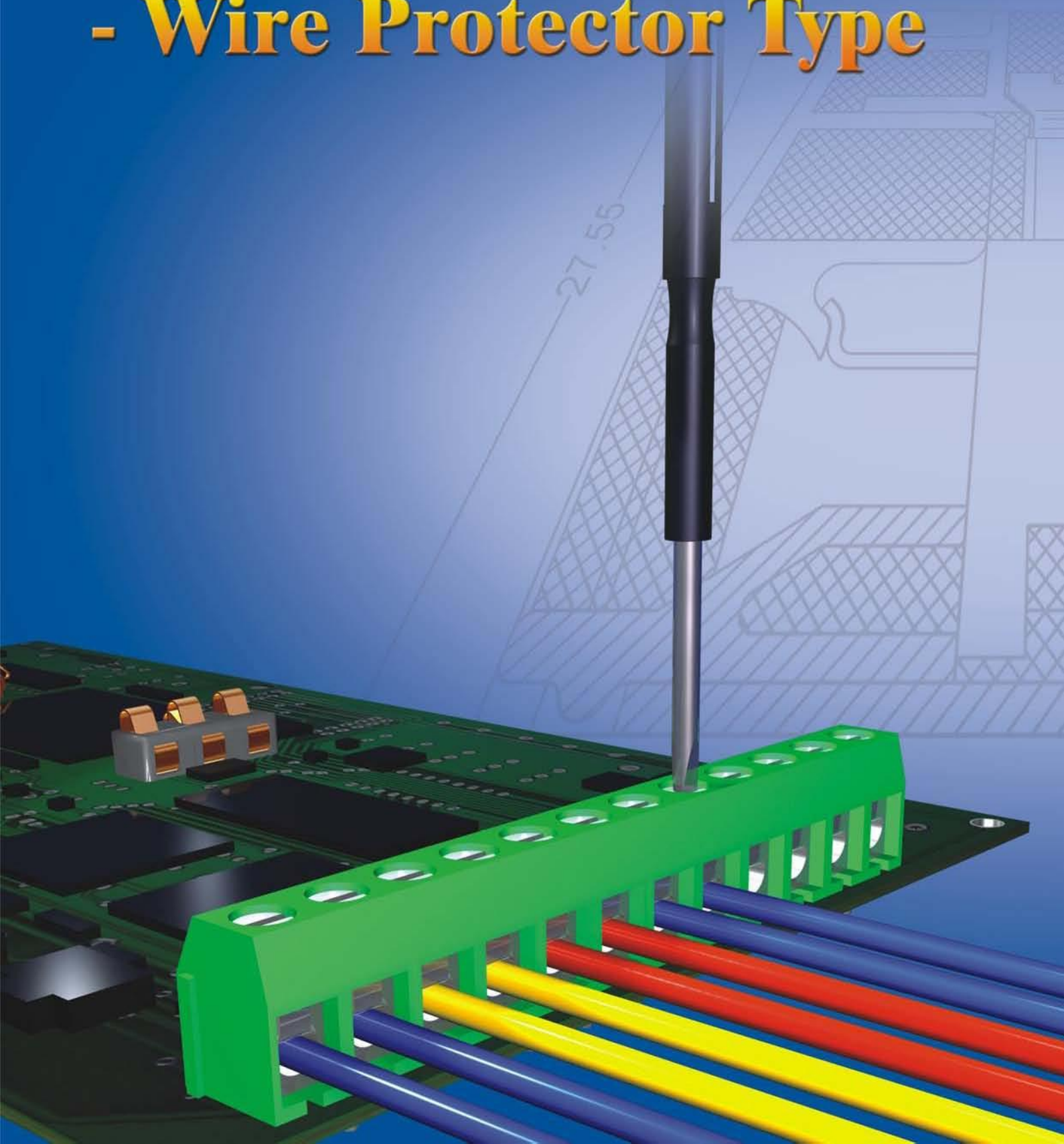
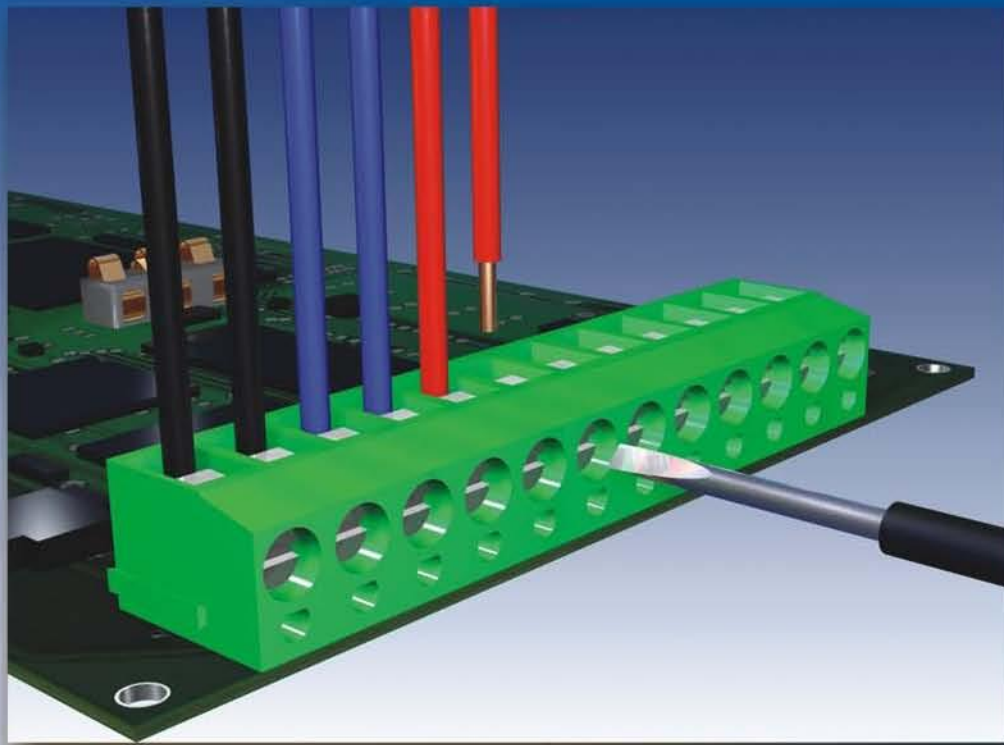


PCB Terminal Blocks - Wire Protector Type





螺钉式PCB接线端子(弹片压线)

PCB universal screw terminal blocks(wire protector type), this typical feature of the screw connection system is characterized by the easy connection and extremely high contact strengths.

These connectors are available in the following pitches: 3.5mm, 3.81mm, 3.96mm, 5.0mm, 7.5mm.

The standard basic sizes as 2 poles and 3 poles are provided and with these two sizes, it can be combined for any needed pole number. However, it depends on actual situation, and for mass quantity, we can supply the one-piece housing product.

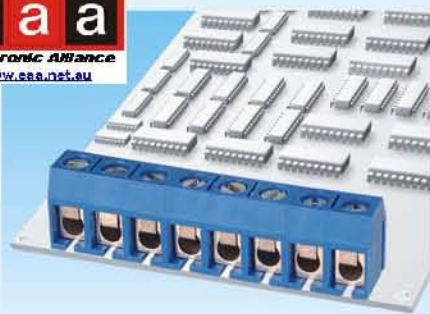
The product is designed in accordance with IEC60998, UL1059, CSA 22.2 No. 158 standards and get the approval of UL, VDE, CQC etc.

螺钉式PCB接线端子(弹片压线)，结构设计兼顾了接线方便，螺钉连接牢固的特点。

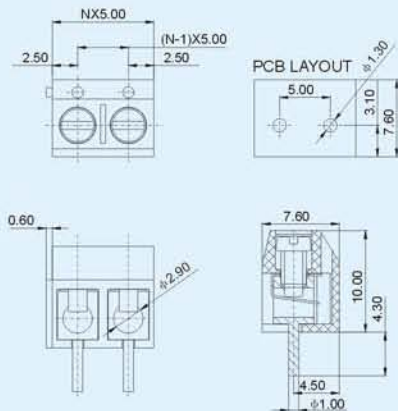
间距有：3.5、3.81、3.96、5.0、7.0、7.5mm可供选择。

提供 2P、3P 的组合基数，可组合任何需要的极数，但数量多时，可依实际的需要提供一体成型的产品。

产品设计符合IEC60998、UL1059、CSA22.2NO.158等国际标准，并通过UL、VDE、CQC等认证。



DG301-5.0



Pitch:5.0mm;Poles:2P,3P~24P

● **Material**

Screws : M2.5 steel Zinc plated
Wire guard : Stainless steel
Pin header : Brass, Tin plated
Housing : PBT, UL94V-0

● **Electrical**

Rated voltage : 300V
Rated current : 15A
Contact resistance : 20m Ω
Insulation resistance: 5000M Ω / DC1000V
Withstanding voltage: AC1500V/1Min
Wire range : 22-14AWG 1.5mm²

● **Mechanical**

Temp.Range : -30°C~+120°C
Torque : 0.4Nm(3.6lb.in)
Strip length : 4.5-5mm

● **材质及电镀**

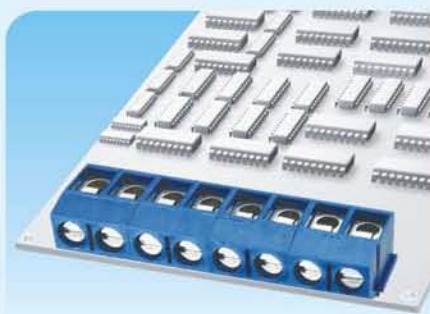
螺丝: M2.5, 钢, 镀锌
簧片: 不锈钢
焊针: 黄铜, 镀锡
塑件: PBT, UL94V-0

● **电气性能**

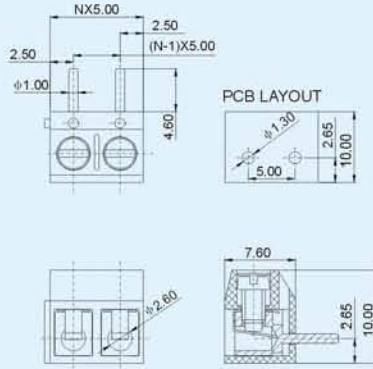
额定电压: 300V
额定电流: 15A
接触电阻: 20m Ω
绝缘电阻: 5000M Ω / DC1000V
耐电压: AC1500V/1Min
使用线径: 22-14AWG 1.5mm²

● **机械性能**

温度范围: -30°C~+120°C
扭矩: 0.4Nm(3.6lb.in)
剥线长度: 4.5-5mm



DG301R-5.0



Pitch:5.0mm;Poles:2P,3P~24P

● **Material**

Screws : M2.5 steel Zinc plated
Wire guard : Stainless steel
Pin header : Brass, Tin plated
Housing : PBT, UL94V-0

● **Electrical**

Rated voltage : 300V
Rated current : 15A
Contact resistance : 20m Ω
Insulation resistance: 5000M Ω / DC1000V
Withstanding voltage: AC2000V/1Min
Wire range : 22-14AWG 1.5mm²

● **Mechanical**

Temp.Range : -30°C~+120°C
Torque : 0.4Nm(3.6lb.in)
Strip length : 4.5-5mm

● **材质及电镀**

螺丝: M2.5, 钢, 镀锌
簧片: 不锈钢
焊针: 黄铜, 镀锡
塑件: PBT, UL94V-0

● **电气性能**

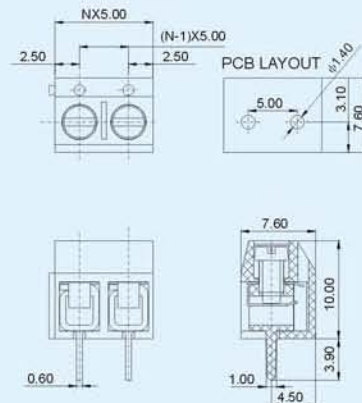
额定电压: 300V
额定电流: 15A
接触电阻: 20m Ω
绝缘电阻: 5000M Ω / DC1000V
耐电压: AC2000V/1Min
使用线径: 22-14AWG 1.5mm²

● **机械性能**

温度范围: -30°C~+120°C
扭矩: 0.4Nm(3.6lb.in)
剥线长度: 4.5-5mm



DG306-5.0



Pitch:5.0mm;Poles:2P,3P~24P

● **Material**

Screws : M2.5 steel Zinc plated
Wire guard : Stainless steel
Pin header : Brass, Tin plated
Housing : PBT, UL94V-0

● **Electrical**

Rated voltage : 300V
Rated current : 10A
Contact resistance : 20m Ω
Insulation resistance: 5000M Ω / DC1000V
Withstanding voltage: AC2000V/1Min
Wire range : 22-14AWG 2.5mm²

● **Mechanical**

Temp.Range : -30°C~+120°C
Torque : 0.4Nm(3.6lb.in)
Strip length : 4.5-5mm

● **材质及电镀**

螺丝: M2.5, 钢, 镀锌
簧片: 不锈钢
焊针: 黄铜, 镀锡
塑件: PBT, UL94V-0

● **电气性能**

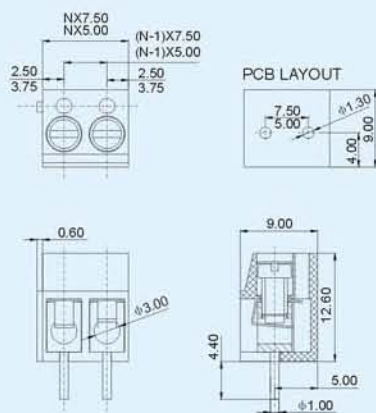
额定电压: 300V
额定电流: 10A
接触电阻: 20m Ω
绝缘电阻: 5000M Ω / DC1000V
耐电压: AC2000V/1Min
使用线径: 22-14AWG 2.5mm²

● **机械性能**

温度范围: -30°C~+120°C
扭矩: 0.4Nm(3.6lb.in)
剥线长度: 4.5-5mm



DG300-5.0
DG300-7.5



Pitch:5.0mm,7.5mm;Poles:2P,3P~24P

● **Material**

Screws : M3 steel Zinc plated
Wire guard : Stainless steel
Pin header : Brass, Tin plated
Housing : PBT, UL94V-0

● **Electrical**

Rated voltage : 300V
Rated current : 10A
Contact resistance : 20mΩ
Insulation resistance: 5000MΩ / DC1000V
Withstanding voltage: AC2000V/1Min
Wire range : 22-14AWG 2.5mm²

● **Mechanical**

Temp.Range : -30°C~+120°C
Torque : 0.5Nm(4.5lb.in)
Strip length : 4.5-5mm

● **材质及电镀**

螺丝: M3, 钢, 镀锌
簧片: 不锈钢
焊针: 黄铜, 镀锡
塑件: PBT, UL94V-0

● **电气性能**

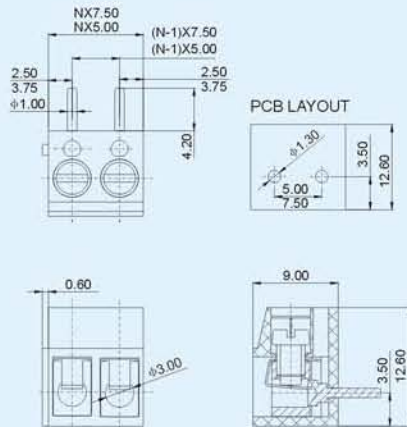
额定电压 : 300V
额定电流 : 10A
接触电阻 : 20mΩ
绝缘电阻 : 5000MΩ / DC1000V
耐电压 : AC2000V / 1Min
使用线径 : 22-14AWG 2.5mm²

● **机械性能**

温度范围 : -30°C~+120°C
扭矩 : 0.5Nm(4.5lb.in)
剥线长度 : 4.5-5mm



DG300R-5.0
DG300R-7.5



Pitch:5.0mm,7.5mm;Poles:2P,3P~24P

● **Material**

Screws : M3 steel Zinc plated
Wire guard : Stainless steel
Pin header : Brass, Tin plated
Housing : PBT, UL94V-0

● **Electrical**

Rated voltage : 300V
Rated current : 10A
Contact resistance : 20mΩ
Insulation resistance: 5000MΩ / DC1000V
Withstanding voltage: AC2000V/1Min
Wire range : 22-14AWG 2.5mm²

● **Mechanical**

Temp.Range : -30°C~+120°C
Torque : 0.5Nm(4.5lb.in)
Strip length : 4.5-5mm

● **材质及电镀**

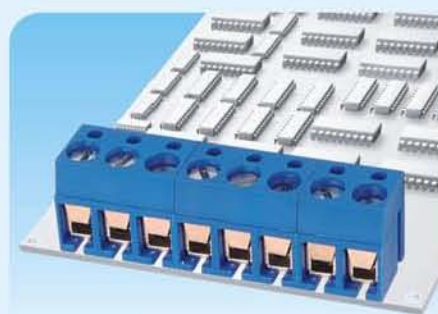
螺丝: M3, 钢, 镀锌
簧片: 不锈钢
焊针: 黄铜, 镀锡
塑件: PBT, UL94V-0

● **电气性能**

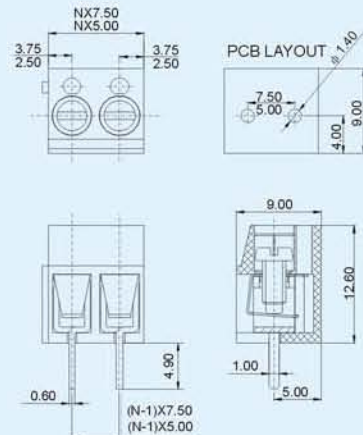
额定电压 : 300V
额定电流 : 10A
接触电阻 : 20mΩ
绝缘电阻 : 5000MΩ / DC1000V
耐电压 : AC2000V / 1Min
使用线径 : 22-14AWG 2.5mm²

● **机械性能**

温度范围 : -30°C~+120°C
扭矩 : 0.5Nm(4.5lb.in)
剥线长度 : 4.5-5mm



DG305-5.0
DG305-7.5



Pitch:5.0mm,7.5mm;Poles:2P,3P~24P

● **Material**

Screws : M2.5 steel Zinc plated
Wire guard : Phosphor Bronze
Pin header : Brass, Tin plated
Housing : PBT, UL94V-0

● **Electrical**

Rated voltage : 300V
Rated current : 15A
Contact resistance : 20mΩ
Insulation resistance: 5000MΩ / DC1000V
Withstanding voltage: AC2000V/1Min
Wire range : 22-14AWG 2.5mm²

● **Mechanical**

Temp.Range : -30°C~+120°C
Torque : 0.4Nm(3.6lb.in)
Strip length : 4.5-5mm

● **材质及电镀**

螺丝: M2.5, 钢, 镀锌
簧片: 磷青铜
焊针: 黄铜, 镀锡
塑件: PBT, UL94V-0

● **电气性能**

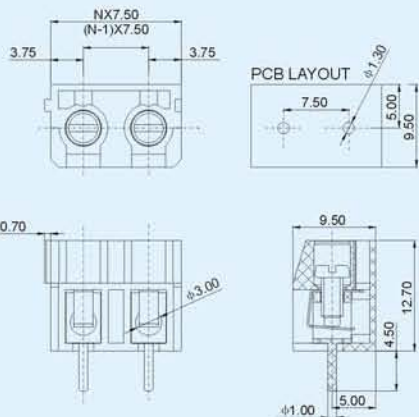
额定电压 : 300V
额定电流 : 15A
接触电阻 : 20mΩ
绝缘电阻 : 5000MΩ / DC1000V
耐电压 : AC2000V / 1Min
使用线径 : 22-14AWG 2.5mm²

● **机械性能**

温度范围 : -30°C~+120°C
扭矩 : 0.4Nm(3.6lb.in)
剥线长度 : 4.5-5mm



DG360-7.5



Pitch: 7.5mm; Poles: 2P, 3P~24P

● **Material**

Screws : M3 steel Zinc plated
Wire guard : Stainless steel
Pin header : Brass, Tin plated
Housing : PBT, UL94V-0

● **Electrical**

Rated voltage : 300V
Rated current : 15A
Contact resistance : 20mΩ
Insulation resistance: 5000MΩ / DC1000V
Withstanding voltage: AC2000V/1Min
Wire range : 22-14AWG 2.5mm²

● **Mechanical**

Temp. Range : -30°C~+120°C
Torque : 0.5Nm(4.5lb.in)
Strip length : 4.5-5mm

● **材质及电镀**

螺丝: M3, 钢, 镀锌
簧片: 不锈钢
焊针: 黄铜, 镀锡
塑件: PBT, UL94V-0

● **电气性能**

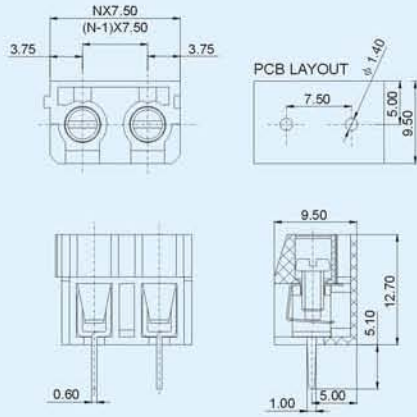
额定电压: 300V
额定电流: 15A
接触电阻: 20mΩ
绝缘电阻: 5000MΩ / DC1000V
耐电压: AC2000V / 1Min
使用线径: 22-14AWG 2.5mm²

● **机械性能**

温度范围: -30°C~+120°C
扭矩: 0.5Nm(4.5lb.in)
剥线长度: 4.5-5mm



DG365-7.5



Pitch: 7.5mm; Poles: 2P, 3P~24P

● **Material**

Screws : M2.5 steel Zinc plated
Wire guard : Phosphor bronze, Ni plated
Pin header : Brass, Tin plated
Housing : PBT, UL94V-0

● **Electrical**

Rated voltage : 300V
Rated current : 15A
Contact resistance : 20mΩ
Insulation resistance: 5000MΩ / DC1000V
Withstanding voltage: AC2000V/1Min
Wire range : 22-14AWG 2.5mm²

● **Mechanical**

Temp. Range : -30°C~+120°C
Torque : 0.4Nm(3.6lb.in)
Strip length : 4.5-5mm

● **材质及电镀**

螺丝: M2.5, 钢, 镀锌
簧片: 磷青铜, 镀镍
焊针: 黄铜, 镀锡
塑件: PBT, UL94V-0

● **电气性能**

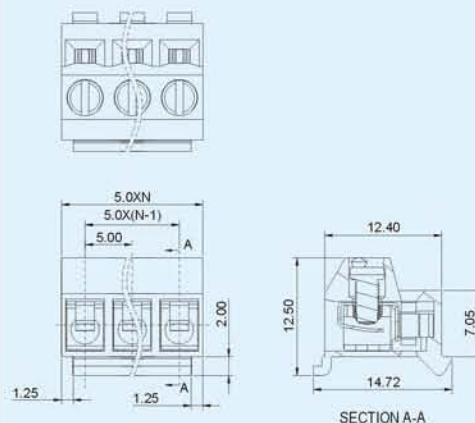
额定电压: 300V
额定电流: 15A
接触电阻: 20mΩ
绝缘电阻: 5000MΩ / DC1000V
耐电压: AC2000V / 1Min
使用线径: 22-14AWG 2.5mm²

● **机械性能**

温度范围: -30°C~+120°C
扭矩: 0.4Nm(3.6lb.in)
剥线长度: 4.5-5mm



DG331-5.0



Pitch: 5.0mm; Poles: 2P~20P

● **Material**

Screws : M3 steel Zinc plated
Wire guard : Phosphor Bronze
Contact : Brass, Ni Plated
Housing : PA66, UL94V-0

● **Electrical**

Rated voltage : 300V
Rated current : 10A
Contact resistance : 20mΩ
Insulation resistance: 5000MΩ / DC1000V
Withstanding voltage: AC2000V/1Min
Wire range : 22-14AWG 2.5mm²

● **Mechanical**

Temp. Range : -40°C~+105°C
Torque : 0.5Nm(4.5lb.in)
Strip length : 4.5-5mm

● **材质及电镀**

螺丝: M3, 钢, 镀锌
簧片: 磷青铜
触点材料: 黄铜, 镀镍
塑件: PA66, UL94V-0

● **电气性能**

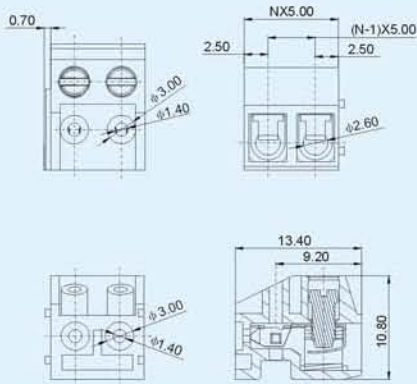
额定电压: 300V
额定电流: 10A
接触电阻: 20mΩ
绝缘电阻: 5000MΩ / DC1000V
耐电压: AC2000V / 1Min
使用线径: 22-14AWG 2.5mm²

● **机械性能**

温度范围: -40°C~+105°C
扭矩: 0.5Nm(4.5lb.in)
剥线长度: 4.5-5mm



DG332K-5.0



Pitch:5.0mm;Poles:2P,3P~24P

● **Material**

Screws : M2.5 steel Zinc plated
Wire guard : Phosphor bronze, Ni plated
Contact : Brass, Ni Plated
Housing : PBT, UL94V-0

● **Electrical**

Rated voltage : 300V
Rated current : 10A
Contact resistance : 20mΩ
Insulation resistance: 5000MΩ / DC1000V
Withstanding voltage: AC2000V/1Min
Wire range : 28-16AWG 1.5mm²

● **Mechanical**

Temp.Range : -30°C~+120°C
Torque : 0.4Nm(3.6lb.in)
Strip length : 4.5mm

● **材质及电镀**

螺丝 : M2.5, 钢, 镀锌
簧片 : 磷青铜, 镀镍
触点材料: 黄铜, 镀镍
塑件 : PBT, UL94V-0

● **电气性能**

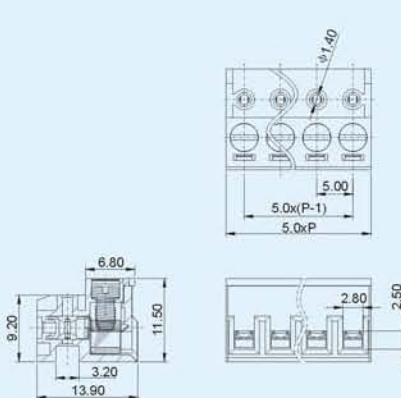
额定电压 : 300V
额定电流 : 10A
接触电阻 : 20mΩ
绝缘电阻 : 5000MΩ / DC1000V
耐电压 : AC2000V / 1Min
使用线径 : 28-16AWG 1.5mm²

● **机械性能**

温度范围 : -30°C~+120°C
扭矩 : 0.4Nm(3.6lb.in)
剥线长度 : 4.5mm



DG332W-5.0



Pitch:5.0mm;Poles:2P~12P

● **Material**

Screws : M2.5 steel Zinc plated
Wire guard : Phosphor bronze, Ni plated
Contact : Brass, Ni Plated
Housing : PA66, UL94V-0

● **Electrical**

Rated voltage : 300V
Rated current : 10A
Contact resistance : 20mΩ
Insulation resistance: 5000MΩ / DC1000V
Withstanding voltage: AC2000V/1Min
Wire range : 30-16AWG 1.5mm²

● **Mechanical**

Temp.Range : -40°C~+105°C
Torque : 0.4Nm(3.6lb.in)
Strip length : 4.5mm

● **材质及电镀**

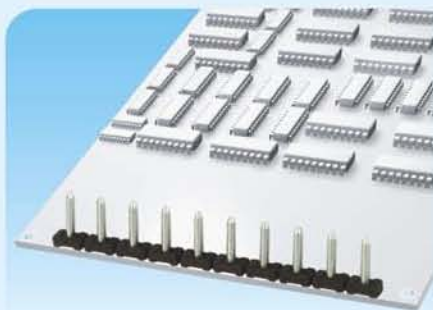
螺丝 : M2.5, 钢, 镀锌
簧片 : 磷青铜, 镀镍
触点材料: 黄铜, 镀镍
塑件 : PA66, UL94V-0

● **电气性能**

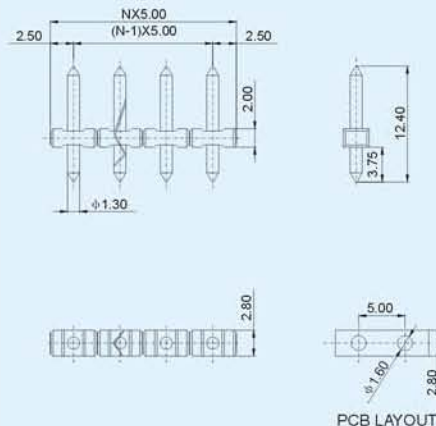
额定电压 : 300V
额定电流 : 10A
接触电阻 : 20mΩ
绝缘电阻 : 5000MΩ / DC1000V
耐电压 : AC2000V / 1Min
使用线径 : 30-16AWG 1.5mm²

● **机械性能**

温度范围 : -40°C~+105°C
扭矩 : 0.4Nm(3.6lb.in)
剥线长度 : 4.5mm



DG332J-5.0



Pitch:5.0mm;Poles:2P,3P~24P

● **Material**

Pin header : Brass, Tin plated
Housing : PA66+10%GF.

● **Electrical**

Rated voltage : 300V
Rated current : 10A
Contact resistance : 20mΩ
Insulation resistance: 5000MΩ / DC1000V
Withstanding voltage: AC2000V/1Min

● **Mechanical**

Temp.Range : -40°C~+105°C

● **材质及电镀**

焊针: 黄铜, 镀锡
塑件: PA66+10%GF.

● **电气性能**

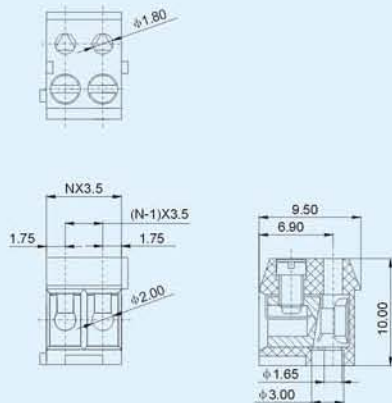
额定电压 : 300V
额定电流 : 10A
接触电阻 : 20mΩ
绝缘电阻 : 5000MΩ / DC1000V
耐电压 : AC2000V / 1Min

● **机械性能**

温度范围 : -40°C~+105°C



DG333K-3.5



Pitch:3.5mm;Poles:2P,3P~24P

● **Material**

Screws : M2 steel Zinc plated
Wire guard : Phosphor bronze, Ni plated
Contact : Brass, Ni plated
Housing : PBT, UL94V-0

● **Electrical**

Rated voltage : 300V
Rated current : 10A
Contact resistance : 20mΩ
Insulation resistance: 5000MΩ / DC1000V
Withstanding voltage: AC2000V/1Min
Wire range : 28-18AWG 1.0mm²

● **Mechanical**

Temp.Range : -30°C~+120°C
Torque : 0.2Nm(1.7lb.in)
Strip length : 4.5-5mm

● **材质及电镀**

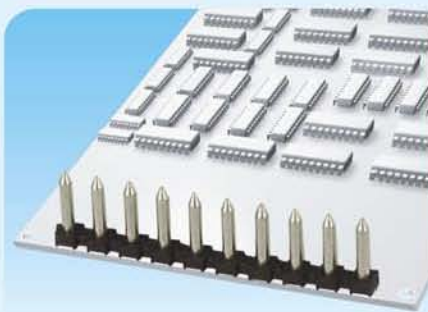
螺丝 : M2, 钢, 镀锌
簧片 : 磷青铜, 镀镍
触点材料: 黄铜, 镀镍
塑件 : PBT, UL94V-0

● **电气性能**

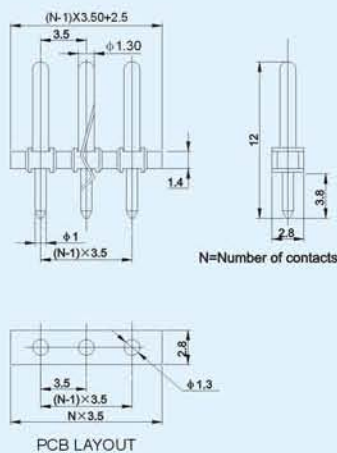
额定电压 : 300V
额定电流 : 10A
接触电阻 : 20mΩ
绝缘电阻 : 5000MΩ / DC1000V
耐电压 : AC2000V/1Min
使用线径 : 28-18AWG 1.0mm²

● **机械性能**

温度范围 : -30°C~+120°C
扭矩 : 0.2Nm(1.7lb.in)
剥线长度 : 4.5-5mm



DG333J-3.5



Pitch:3.5mm;Poles:2P,3P~24P

● **Material**

Pin header : Brass, Tin plated
Housing : PA66+10%GF,UL94V-0

● **Electrical**

Rated voltage : 300V
Rated current : 10A
Contact resistance : 20mΩ
Insulation resistance: 5000MΩ / DC1000V
Withstanding voltage: AC2000V/1Min

● **Mechanical**

Temp.Range : -40°C~+105°C

● **材质及电镀**

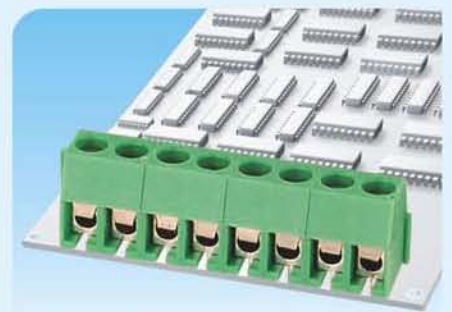
焊针 : 黄铜, 镀锡
塑件 : PA66+10%GF, UL94V-0

● **电气性能**

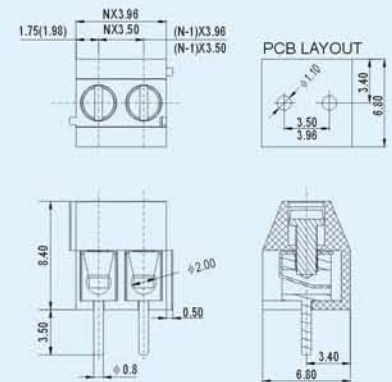
额定电压 : 300V
额定电流 : 10A
接触电阻 : 20mΩ
绝缘电阻 : 5000MΩ / DC1000V
耐电压 : AC2000V/1Min

● **机械性能**

温度范围 : -40°C~+105°C



DG350-3.5
DG350-3.96



Pitch:3.5mm,3.96mm;Poles:2P,3P~24P

● **Material**

Screws : M2 steel Zinc plated
Wire guard : Phosphor bronze, Ni plated
Pin header : Brass, Tin plated
Housing : PA66, UL94V-0

● **Electrical**

Rated voltage : 300V
Rated current : 7A
Contact resistance : 20mΩ
Insulation resistance: 5000MΩ / DC1000V
Withstanding voltage: AC2000V/1Min
Wire range : 24-18AWG 1.0mm²

● **Mechanical**

Temp.Range : -40°C~+105°C
Torque : 0.2Nm(1.7lb.in)
Strip length : 4.5-5mm

● **材质及电镀**

螺丝 : M2, 钢, 镀锌
簧片 : 磷青铜, 镀镍
焊针 : 黄铜, 镀锡
塑件 : PA66, UL94V-0

● **电气性能**

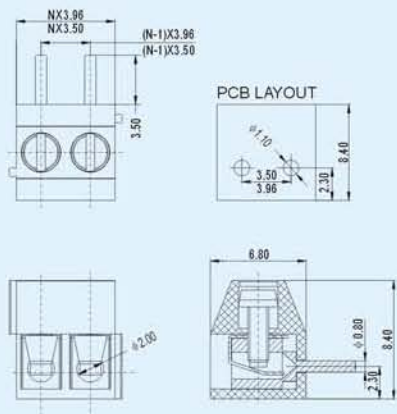
额定电压 : 300V
额定电流 : 7A
接触电阻 : 20mΩ
绝缘电阻 : 5000MΩ / DC1000V
耐电压 : AC2000V/1Min
使用线径 : 24-18AWG 1.0mm²

● **机械性能**

温度范围 : -40°C~+105°C
扭矩 : 0.2Nm(1.7lb.in)
剥线长度 : 4.5-5mm



DG350R-3.5
DG350R-3.96



Pitch:3.5mm,3.96mm;Poles:2P,3P~24P

● **Material**

Screws : M2 steel Zinc plated
Wire guard : Phosphor bronze, Ni plated
Pin header : Brass, Tin plated
Housing : PA66, UL94V-0

● **Electrical**

Rated voltage : 300V
Rated current : 7A
Contact resistance : 20mΩ
Insulation resistance: 5000MΩ /DC1000V
Withstanding voltage: AC2000V/1Min
Wire range : 24-18AWG 1.0mm²

● **Mechanical**

Temp.Range : -40°C~+105°C
Torque : 0.2Nm(1.7lb.in)
Strip length : 4.5-5mm

● **材质及电镀**

螺丝: M2, 钢, 镀锌
簧片: 磷青铜, 镀镍
焊针: 黄铜, 镀锡
塑件: PA66, UL94V-0

● **电气性能**

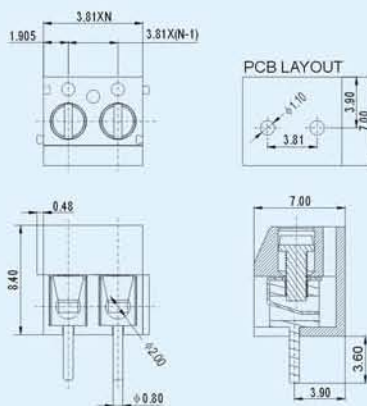
额定电压: 300V
额定电流: 7A
接触电阻: 20mΩ
绝缘电阻: 5000MΩ /DC1000V
耐电压: AC2000V/1Min
使用线径: 24-18AWG 1.0mm²

● **机械性能**

温度范围: -40°C~+105°C
扭矩: 0.2Nm(1.7 lb. in)
剥线长度: 4.5-5mm



DG340-3.81



Pitch:3.81mm;Poles:2P,3P~24P

● **Material**

Screws : M2 steel Zinc plated
Wire guard : Phosphor bronze, Ni plated
Pin header : Brass, Tin plated
Housing : PA66, UL94V-0

● **Electrical**

Rated voltage : 300V
Rated current : 7A
Contact resistance : 20mΩ
Insulation resistance: 5000MΩ /DC1000V
Withstanding voltage: AC2000V/1Min
Wire range : 24-18AWG 1.0mm²

● **Mechanical**

Temp.Range : -40°C~+105°C
Torque : 0.2Nm(1.7lb.in)
Strip length : 4.5-5mm

● **材质及电镀**

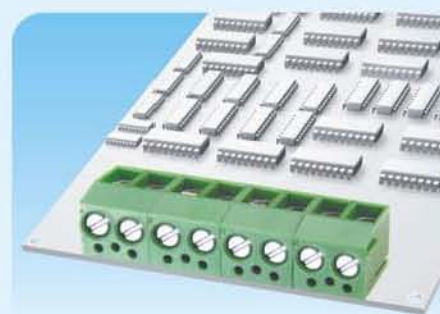
螺丝: M2, 钢, 镀锌
簧片: 磷青铜, 镀镍
焊针: 黄铜, 镀锡
塑件: PA66, UL94V-0

● **电气性能**

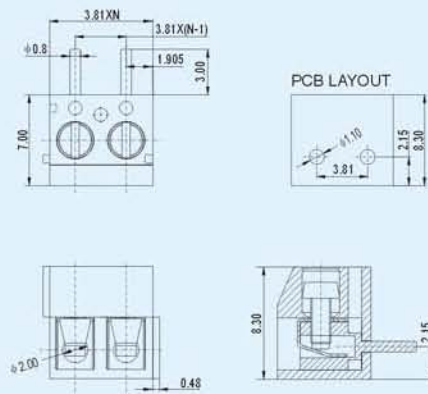
额定电压: 300V
额定电流: 7A
接触电阻: 20mΩ
绝缘电阻: 5000MΩ /DC1000V
耐电压: AC2000V/1Min
使用线径: 24-18AWG 1.0mm²

● **机械性能**

温度范围: -40°C~+105°C
扭矩: 0.2Nm(1.7 lb. in)
剥线长度: 4.5-5mm



DG340R-3.81



Pitch:3.81mm;Poles:2P,3P~24P

● **Material**

Screws : M2 steel Zinc plated
Wire guard : Phosphor bronze, Ni plated
Pin header : Brass, Tin plated
Housing : PA66, UL94V-0

● **Electrical**

Rated voltage : 300V
Rated current : 7A
Contact resistance : 20mΩ
Insulation resistance: 5000MΩ /DC1000V
Withstanding voltage: AC2000V/1Min
Wire range : 24-18AWG 1.0mm²

● **Mechanical**

Temp.Range : -40°C~+105°C
Torque : 0.2Nm(1.7lb.in)
Strip length : 4.5-5mm

● **材质及电镀**

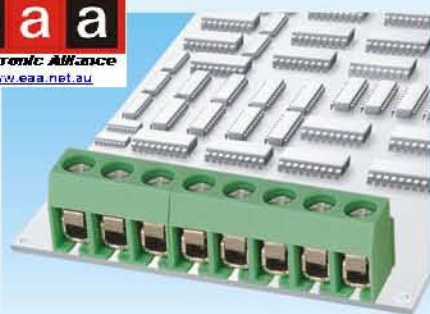
螺丝: M2, 钢, 镀锌
簧片: 磷青铜, 镀镍
焊针: 黄铜, 镀锡
塑件: PA66, UL94V-0

● **电气性能**

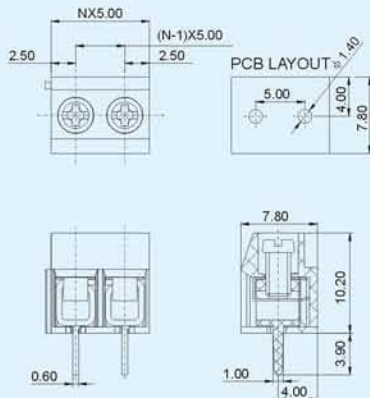
额定电压: 300V
额定电流: 7A
接触电阻: 20mΩ
绝缘电阻: 5000MΩ /DC1000V
耐电压: AC2000V/1Min
使用线径: 24-18AWG 1.0mm²

● **机械性能**

温度范围: -40°C~+105°C
扭矩: 0.2Nm(1.7 lb. in)
剥线长度: 4.5-5mm



DG126-5.0



Pitch:5.0mm;Poles:2P,3P~24P

Material

Screws : M2.5 steel Zinc plated
Wire guard : Stainless steel
Pin header : Brass, Tin plated
Housing : PA66, UL94V-0

Electrical

Rated voltage : 300V
Rated current : 10A
Contact resistance : 20mΩ
Insulation resistance: 5000MΩ /DC1000V
Withstanding voltage: AC2000V/1Min
Wire range : 26-14AWG 1.5mm²

Mechanical

Temp.Range : -40°C~+105°C
Torque : 0.4Nm(3.6lb.in)
Strip length : 6-7mm

材质及电镀

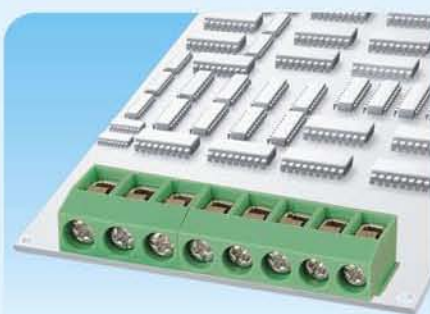
螺丝: M2.5, 钢, 镀锌
簧片: 不锈钢
焊针: 黄铜, 镀锡
塑件: PA66, UL94V-0

电气性能

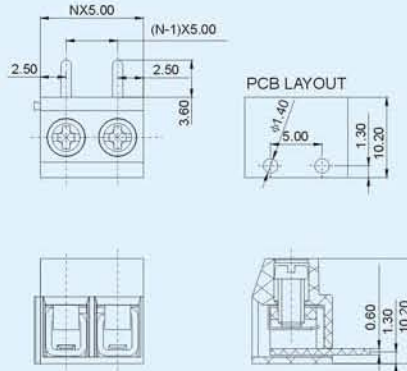
额定电压 : 300V
额定电流 : 10A
接触电阻 : 20mΩ
绝缘电阻 : 5000MΩ /DC1000V
耐电压 : AC2000V/1Min
使用线径 : 26-14AWG 1.5mm²

机械性能

温度范围 : -40°C~+105°C
扭矩 : 0.4Nm(3.6lb.in)
剥线长度 : 6-7mm



DG126R-5.0



Pitch:5.0mm;Poles:2P,3P~24P

Material

Screws : M2.5 steel Zinc plated
Wire guard : Stainless steel
Pin header : Brass, Tin plated
Housing : PA66, UL94V-0

Electrical

Rated voltage : 300V
Rated current : 10A
Contact resistance : 20mΩ
Insulation resistance: 5000MΩ /DC1000V
Withstanding voltage: AC2000V/1Min
Wire range : 26-14AWG 1.5mm²

Mechanical

Temp.Range : -40°C~+105°C
Torque : 0.4Nm(3.6lb.in)
Strip length : 6-7mm

材质及电镀

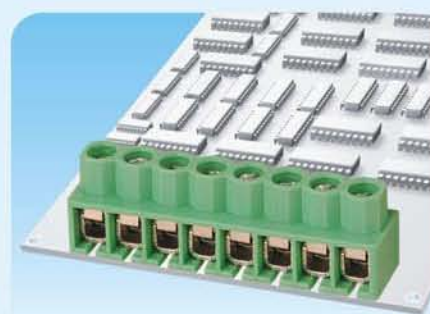
螺丝: M2.5, 钢, 镀锌
簧片: 不锈钢
焊针: 黄铜, 镀锡
塑件: PA66, UL94V-0

电气性能

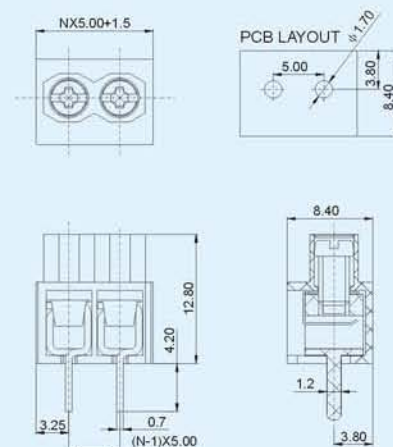
额定电压 : 300V
额定电流 : 10A
接触电阻 : 20mΩ
绝缘电阻 : 5000MΩ /DC1000V
耐电压 : AC2000V/1Min
使用线径 : 26-14AWG 1.5mm²

机械性能

温度范围 : -40°C~+105°C
扭矩 : 0.4Nm(3.6lb.in)
剥线长度 : 6-7mm



DG166-5.0



Pitch:5.0mm;Poles:2P~12P

Material

Screws : M3 steel Zinc plated
Wire guard : Phosphor bronze, Ni plated
Pin header : Brass, Tin plated
Housing : PA66, UL94V-0

Electrical

Rated voltage : 300V
Rated current : 15A
Contact resistance : 20mΩ
Insulation resistance: 5000MΩ /DC1000V
Withstanding voltage: AC2000V/1Min
Wire range : 22-12AWG 2.5mm²

Mechanical

Temp.Range : -40°C~+105°C
Torque : 0.5Nm(4.5lb.in)
Strip length : 6-7mm

材质及电镀

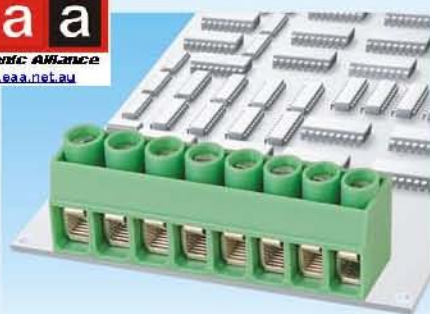
螺丝: M3, 钢, 镀锌
簧片: 磷青铜, 镀镍
焊针: 黄铜, 镀锡
塑件: PA66, UL94V-0

电气性能

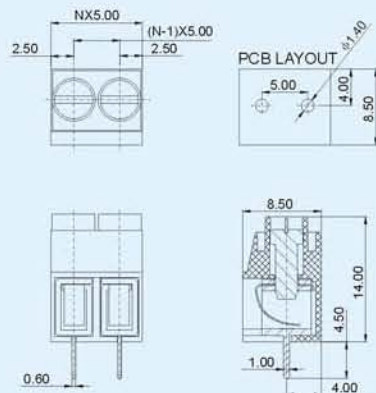
额定电压 : 300V
额定电流 : 15A
接触电阻 : 20mΩ
绝缘电阻 : 5000MΩ /DC1000V
耐电压 : AC2000V/1Min
使用线径 : 22-12AWG 2.5mm²

机械性能

温度范围 : -40°C~+105°C
扭矩 : 0.5Nm(4.5lb.in)
剥线长度 : 6-7mm



DG167-5.0
DG167-7.62



Pitch: 5.0mm, 7.62mm; Poles: 2P~12P

● **Material**

Screws : M2.5 steel Zinc plated
Wire guard : Phosphor bronze, Ni plated
Pin header : Brass, Tin plated
Housing : PA66, UL94V-0

● **Electrical**

Rated voltage : 300V
Rated current : 15A
Contact resistance : 20mΩ
Insulation resistance: 5000MΩ / DC1000V
Withstanding voltage: AC2000V/1Min
Wire range : 22-12AWG 2.5mm²

● **Mechanical**

Temp.Range : -40°C~+105°C
Torque : 0.4Nm(3.6lb.in)
Strip length : 6-7mm

● **材质及电镀**

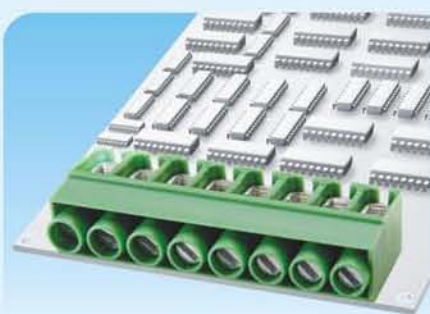
螺丝: M2.5, 钢, 镀锌
簧片: 磷青铜, 镀镍
焊针: 黄铜, 镀锡
塑件: PA66, UL94V-0

● **电气性能**

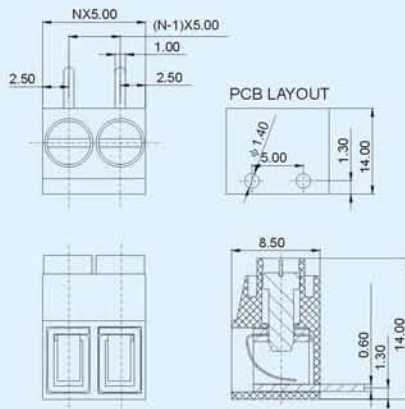
额定电压 : 300V
额定电流 : 15A
接触电阻 : 20mΩ
绝缘电阻 : 5000MΩ / DC1000V
耐电压 : AC2000V/1Min
使用线径 : 22-12AWG 2.5mm²

● **机械性能**

温度范围 : -40°C~+105°C
扭矩 : 0.4Nm(3.6lb.in)
剥线长度 : 6-7mm



DG167R-5.0
DG167R-7.62



Pitch: 5.0mm, 7.62mm; Poles: 2P~12P

● **Material**

Screws : M2.5 steel Zinc plated
Wire guard : Phosphor bronze, Ni plated
Pin header : Brass, Tin plated
Housing : PA66, UL94V-0

● **Electrical**

Rated voltage : 300V
Rated current : 15A
Contact resistance : 20mΩ
Insulation resistance: 5000MΩ / DC1000V
Withstanding voltage: AC2000V/1Min
Wire range : 22-12AWG 2.5mm²

● **Mechanical**

Temp.Range : -40°C~+105°C
Torque : 0.4Nm(3.6lb.in)
Strip length : 6-7mm

● **材质及电镀**

螺丝: M2.5, 钢, 镀锌
簧片: 磷青铜, 镀镍
焊针: 黄铜, 镀锡
塑件: PA66, UL94V-0

● **电气性能**

额定电压 : 300V
额定电流 : 15A
接触电阻 : 20mΩ
绝缘电阻 : 5000MΩ / DC1000V
耐电压 : AC2000V/1Min
使用线径 : 22-12AWG 2.5mm²

● **机械性能**

温度范围 : -40°C~+105°C
扭矩 : 0.4Nm(3.6lb.in)
剥线长度 : 6-7mm